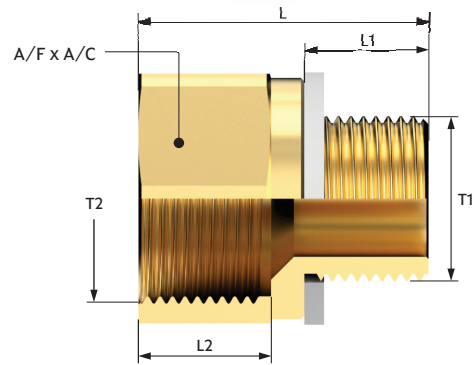
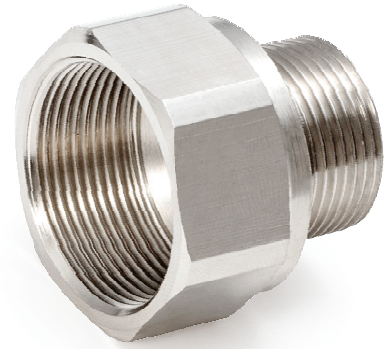


**Adaptor**

- Size** : 16mm to 100mm, 3/8" to 3 1/2"
- Standard** : EN IEC 60079-0:2018, EN/IEC 60079- 1:2014, EN IEC 60079 7:2015+A1:2018, EN/IEC 6007931 :2014/2013
- Function** : We offer a range of adaptors for industrial and hazardous area application which provide effectiveness connection between cable entry devices and equipment having dis-similar thread. Adaptors are used where the thread size of the cable gland or connection device is larger than, or of an equivalent size, to the entry thread of the enclosure.
- IECEX Certificate No.** : IECEX ITS 16.0041X
- ATEX Certificate No.** : ETL22ATEXO109X
- EAC Certificate No.** : RU C-IN.Ж58.B.03310/22
- PESO Certificate No.** : P568411/1
- CIMFR Certificate No.** : CMF 19 INEX 0006
- Code of Protection** : Ex db IIC Gb, Ex eb IIC Gb, Ex tb IIIC Db
- Area Classification** : Group I and II, Category 2 (Zone 1) Gas Group IIA/ IIB/ IIC as per IEC 60079-0:2018, IEC 60079-7:2015 & IEC 60079-1:2014
- Ingress Protection** : IP66/67 as per IEC 60529.
- Operating Temp.** : -60°C to +135°C
- Material** : Brass CW614N/CW617N/EN12165, SS316L
- Thread** : Metric, NPT, BSP & ET



**ADAPTOR**

**METRIC TO METRIC**

Code	Size	A/F	A/C	L1	L2	L	T1	T2
A-12-20	M12×M20	24.00	26.20	15.00	16.00	35.00	M12x1.5	M20x1.5
A-16-16	M16×M16	22.00	24.00	15.00	16.00	33.50	M16x1.5	M16x1.5
A-16-20	M16×M20	24.00	26.20	15.00	16.00	35.00	M16x1.5	M20x1.5
A-16-25	M16×M25	30.00	33.00	15.00	16.00	35.00	M16x1.5	M25x1.5
A-20-20	M20×M20	24.00	26.20	15.00	16.00	34.00	M20x1.5	M20x1.5
A-20-25	M20×M25	30.00	33.00	15.00	16.00	35.00	M20x1.5	M25x1.5
A-20-32	M20×M32	36.00	39.20	15.00	16.00	35.00	M20x1.5	M32x1.5
A-20-40	M20×M40	45.00	50.00	15.00	16.00	35.00	M20x1.5	M40x1.5
A-20-50	M20×M50	55.00	60.00	15.00	16.00	35.00	M20x1.5	M50x1.5
A-25-25	M25×M25	30.00	33.00	15.00	16.00	34.50	M25x1.5	M25x1.5
A-25-32	M25×M32	36.00	39.20	15.00	16.00	35.00	M25x1.5	M32x1.5
A-25-40	M25×M40	45.00	50.00	15.00	16.00	35.00	M25x1.5	M40x1.5
A-25-50	M25×M50	55.00	60.00	15.00	16.00	35.00	M25x1.5	M50x1.5
A-25-63	M25×M63	70.00	75.00	15.00	16.00	35.00	M25x1.5	M63x1.5
A-25-75	M25×M75	80.00	88.00	15.00	16.00	35.00	M25x1.5	M75x1.5
A-32-32	M32×M32	36.00	39.20	15.00	16.00	35.00	M32x1.5	M32x1.5
A-32-40	M32×M40	45.00	50.00	15.00	16.00	35.00	M32x1.5	M40x1.5
A-32-50	M32×M50	55.00	60.00	15.00	16.00	35.00	M32x1.5	M50x1.5
A-32-63	M32×M63	70.00	75.00	15.00	16.00	35.00	M32x1.5	M63x1.5
A-32-75	M32×M75	80.00	88.00	15.00	16.00	35.00	M32x1.5	M75x1.5
A-40-40	M40×M40	45.00	50.00	15.00	16.00	35.00	M40x1.5	M40x1.5
A-40-50	M40×M50	55.00	60.00	15.00	16.00	35.00	M40x1.5	M50x1.5
A-40-63	M40×M63	70.00	75.00	15.00	16.00	35.00	M40x1.5	M63x1.5
A-40-75	M40×M75	80.00	88.00	15.00	16.00	35.00	M40x1.5	M75x1.5
A-40-90	M40×M90	100.00	110.00	15.00	16.00	35.00	M40x1.5	M90x2.0
A-50-50	M50×M50	55.00	60.00	15.00	16.00	35.00	M50x1.5	M50x1.5
A-50-63	M50×M63	70.00	75.00	15.00	16.00	35.00	M50x1.5	M63x1.5
A-50-75	M50×M75	80.00	88.00	15.00	16.00	35.00	M50x1.5	M75x1.5
A-50-90	M50×M90	100.00	110.00	15.00	16.00	35.00	M50x1.5	M90x2.0
A-63-63	M63×M63	70.00	75.00	15.00	16.00	35.00	M63x1.5	M63x1.5
A-63-75	M63×M75	80.00	88.00	15.00	16.00	35.00	M63x1.5	M75x1.5
A-63-90	M63×M90	100.00	110.00	15.00	16.00	35.00	M63x1.5	M90x2.0
A-63-100	M63×M100	110.00	120.00	15.00	16.00	35.00	M63x1.5	M100x2.0



ADAPTOR							METRIC TO METRIC	
Code	Size	A/F	A/C	L1	L2	L	T1	T2
A-75-75	M75xM75	80.00	88.00	15.00	16.00	35.00	M75x1.5	M75x1.5
A-75-90	M75xM90	100.00	110.00	15.00	16.00	35.00	M75x1.5	M90x2.0
A-75-100	M75xM100	110.00	120.00	15.00	16.00	35.00	M75x1.5	M100x2.0
A-90-100	M90xM100	110.00	120.00	18.00	16.00	35.00	M90x2.0	M100x2.0

ADAPTOR							METRIC TO BSP (G)	
Code	Size	A/F	A/C	L1	L2	L	T1	T2
A-16-38G	M16x <sup>3</sup> / <sub>8</sub> "G	21.00	23.00	15.00	15.00	33.50	M16x1.5	<sup>3</sup> / <sub>8</sub> "G
A-16-12G	M16x <sup>1</sup> / <sub>2</sub> "G	24.00	26.20	15.00	15.00	35.00	M16x1.5	<sup>1</sup> / <sub>2</sub> "G
A-16-34G	M16x <sup>3</sup> / <sub>4</sub> "G	30.00	33.00	15.00	15.00	35.00	M16x1.5	<sup>3</sup> / <sub>4</sub> "G
A-20-12G	M20x <sup>1</sup> / <sub>2</sub> "G	24.00	26.20	15.00	15.00	35.00	M20x1.5	<sup>1</sup> / <sub>2</sub> "G
A-20-34G	M20x <sup>3</sup> / <sub>4</sub> "G	30.00	33.00	15.00	15.00	35.00	M20x1.5	<sup>3</sup> / <sub>4</sub> "G
A-20-1G	M20x1"G	36.00	39.20	15.00	18.00	35.00	M20x1.5	1"G
A-20-114G	M20x1 <sup>1</sup> / <sub>4</sub> "G	46.00	50.60	15.00	18.00	35.00	M20x1.5	1 <sup>1</sup> / <sub>4</sub> "G
A-25-34G	M25x <sup>3</sup> / <sub>4</sub> "G	30.00	33.00	15.00	15.00	35.00	M25x1.5	<sup>3</sup> / <sub>4</sub> "G
A-25-1G	M25x1"G	36.00	39.20	15.00	18.00	35.00	M25x1.5	1"G
A-25-114G	M25x1 <sup>1</sup> / <sub>4</sub> "G	46.00	50.60	15.00	18.00	35.00	M25x1.5	1 <sup>1</sup> / <sub>4</sub> "G
A-25-112G	M25x1 <sup>1</sup> / <sub>2</sub> "G	52.50	58.00	15.00	18.00	35.00	M25x1.5	1 <sup>1</sup> / <sub>2</sub> "G
A-25-2G	M25x2"G	70.00	75.00	15.00	18.00	35.00	M25x1.5	2"G
A-25-212G	M25x2 <sup>1</sup> / <sub>2</sub> "G	80.00	88.00	15.00	18.00	35.00	M25x1.5	2 <sup>1</sup> / <sub>2</sub> "G
A-32-1G	M32x1"G	36.00	39.20	15.00	18.00	35.00	M32x1.5	1"G
A-32-114G	M32x1 <sup>1</sup> / <sub>4</sub> "G	46.00	50.60	15.00	18.00	35.00	M32x1.5	1 <sup>1</sup> / <sub>4</sub> "G
A-32-112G	M32x1 <sup>1</sup> / <sub>2</sub> "G	55.00	60.00	15.00	18.00	35.00	M32x1.5	1 <sup>1</sup> / <sub>2</sub> "G
A-32-2G	M32x2"G	70.00	75.00	15.00	18.00	35.00	M32x1.5	2"G
A-32-212G	M32x2 <sup>1</sup> / <sub>2</sub> "G	80.00	88.00	15.00	18.00	35.00	M32x1.5	2 <sup>1</sup> / <sub>2</sub> "G
A-40-114G	M40x1 <sup>1</sup> / <sub>4</sub> "G	46.00	50.60	15.00	18.00	35.00	M40x1.5	1 <sup>1</sup> / <sub>4</sub> "G
A-40-112G	M40x1 <sup>1</sup> / <sub>2</sub> "G	55.00	60.00	15.00	18.00	35.00	M40x1.5	1 <sup>1</sup> / <sub>2</sub> "G
A-40-2G	M40x2"G	70.00	75.00	15.00	18.00	35.00	M40x1.5	2"G
A-40-212G	M40x2 <sup>1</sup> / <sub>2</sub> "G	80.00	88.00	15.00	18.00	35.00	M40x1.5	2 <sup>1</sup> / <sub>2</sub> "G
A-40-3G	M40x3"G	95.00	100.00	15.00	18.00	35.00	M40x1.5	3"G
A-50-112G	M50x1 <sup>1</sup> / <sub>2</sub> "G	55.00	60.00	15.00	18.00	35.00	M50x1.5	1 <sup>1</sup> / <sub>2</sub> "G
A-50-2G	M50x2"G	70.00	75.00	15.00	18.00	35.00	M50x1.5	2"G
A-50-212G	M50x2 <sup>1</sup> / <sub>2</sub> "G	80.00	88.00	15.00	18.00	35.00	M50x1.5	2 <sup>1</sup> / <sub>2</sub> "G
A-50-3G	M50x3"G	95.00	100.00	15.00	18.00	35.00	M50x1.5	3"G
A-50-312G	M50x3 <sup>1</sup> / <sub>2</sub> "G	110.00	120.00	15.00	18.00	35.00	M50x1.5	3 <sup>1</sup> / <sub>2</sub> "G
A-63-2G	M63x2"G	70.00	75.00	15.00	18.00	35.00	M63x1.5	2"G
A-63-212G	M63x2 <sup>1</sup> / <sub>2</sub> "G	80.00	88.00	15.00	18.00	35.00	M63x1.5	2 <sup>1</sup> / <sub>2</sub> "G
A-63-3G	M63x3"G	95.00	100.00	15.00	18.00	35.00	M63x1.5	3"G
A-63-312G	M63x3 <sup>1</sup> / <sub>2</sub> "G	110.00	120.00	15.00	18.00	35.00	M63x1.5	3 <sup>1</sup> / <sub>2</sub> "G
A-75-212G	M75x2 <sup>1</sup> / <sub>2</sub> "G	80.00	88.00	15.00	18.00	35.00	M75x1.5	2 <sup>1</sup> / <sub>2</sub> "G
A-75-3G	M75x3"G	95.00	100.00	15.00	18.00	35.00	M75x1.5	3"G
A-75-312G	M75x3 <sup>1</sup> / <sub>2</sub> "G	110.00	120.00	15.00	18.00	35.00	M75x1.5	3 <sup>1</sup> / <sub>2</sub> "G
A-90-3G	M90x3"G	95.00	100.00	18.00	18.00	38.00	M90x2.0	3"G
A-90-312G	M90x3 <sup>1</sup> / <sub>2</sub> "G	110.00	120.00	18.00	18.00	38.00	M90x2.0	3 <sup>1</sup> / <sub>2</sub> "G
A-100-312G	M100x3 <sup>1</sup> / <sub>2</sub> "G	110.00	120.00	18.00	18.00	38.00	M100x2.0	3 <sup>1</sup> / <sub>2</sub> "G
A-100-4G	M100x4"G	120.00	133.00	18.00	18.00	38.00	M100x2.0	4"G

ADAPTOR							METRIC TO NPT	
Code	Size	A/F	A/C	L1	L2	L	T1	T2
A-16-38N	M16x <sup>3</sup> / <sub>8</sub> "NPT	21.00	23.00	15.00	15.00	32.50	M16x1.5	<sup>3</sup> / <sub>8</sub> "NPT
A-16-12N	M16x <sup>1</sup> / <sub>2</sub> "NPT	24.00	26.20	15.00	16.00	35.00	M16x1.5	<sup>1</sup> / <sub>2</sub> "NPT
A-16-34N	M16x <sup>3</sup> / <sub>4</sub> "NPT	30.00	33.00	15.00	16.00	35.00	M16x1.5	<sup>3</sup> / <sub>4</sub> "NPT
A-20-12N	M20x <sup>1</sup> / <sub>2</sub> "NPT	24.00	26.20	15.00	16.00	34.00	M20x1.5	<sup>1</sup> / <sub>2</sub> "NPT
A-20-34N	M20x <sup>3</sup> / <sub>4</sub> "NPT	30.00	33.00	15.00	16.00	35.00	M20x1.5	<sup>3</sup> / <sub>4</sub> "NPT
A-20-1N	M20x1"NPT	36.00	39.20	15.00	18.00	36.00	M20x1.5	1"NPT
A-20-114N	M20x1 <sup>1</sup> / <sub>4</sub> "NPT	46.00	50.60	15.00	19.00	37.00	M20x1.5	1 <sup>1</sup> / <sub>4</sub> "NPT
A-25-34N	M25x <sup>3</sup> / <sub>4</sub> "NPT	30.00	33.00	15.00	16.00	35.00	M25x1.5	<sup>3</sup> / <sub>4</sub> "NPT
A-25-1N	M25x1"NPT	36.00	39.20	15.00	18.00	36.00	M25x1.5	1"NPT
A-25-114N	M25x1 <sup>1</sup> / <sub>4</sub> "NPT	46.00	50.60	15.00	19.00	37.00	M25x1.5	1 <sup>1</sup> / <sub>4</sub> "NPT
A-25-112N	M25x1 <sup>1</sup> / <sub>2</sub> "NPT	52.50	58.00	15.00	19.00	37.00	M25x1.5	1 <sup>1</sup> / <sub>2</sub> "NPT
A-25-2N	M25x2"NPT	70.00	70.00	15.00	19.00	37.00	M25x1.5	2"NPT
A-25-212N	M25x2 <sup>1</sup> / <sub>2</sub> "NPT	80.00	88.00	15.00	25.00	44.00	M25x1.5	2 <sup>1</sup> / <sub>2</sub> "NPT



ADAPTOR							METRIC TO NPT	
Code	Size	A/F	A/C	L1	L2	L	T1	T2
A-32-1N	M32x1"NPT	36.00	39.20	15.00	18.00	36.00	M32x1.5	1"NPT
A-32-114N	M32x1¼"NPT	46.00	50.60	15.00	19.00	37.00	M32x1.5	1¼"NPT
A-32-112N	M32x1½"NPT	55.00	58.00	15.00	19.00	37.00	M32x1.5	1½"NPT
A-32-2N	M32x2"NPT	70.00	70.00	15.00	19.00	37.00	M32x1.5	2"NPT
A-32-212N	M32x2½"NPT	80.00	88.00	15.00	25.00	44.00	M32x1.5	2½"NPT
A-40-114N	M40x1¼"NPT	46.00	50.60	15.00	19.00	37.00	M40x1.5	1¼"NPT
A-40-112N	M40x1½"NPT	55.00	58.00	15.00	19.00	37.00	M40x1.5	1½"NPT
A-40-2N	M40x2"NPT	70.00	70.00	15.00	19.00	37.00	M40x1.5	2"NPT
A-40-212N	M40x2½"NPT	80.00	88.00	15.00	25.00	44.00	M40x1.5	2½"NPT
A-40-3N	M40x3"NPT	95.00	100.00	15.00	27.00	46.00	M40x1.5	3"NPT
A-50-112N	M50x1½"NPT	55.00	60.00	15.00	19.00	36.50	M50x1.5	1½"NPT
A-50-2N	M50x2"NPT	70.00	70.00	15.00	19.00	37.00	M50x1.5	2"NPT
A-50-212N	M50x2½"NPT	80.00	88.00	15.00	25.00	44.00	M50x1.5	2½"NPT
A-50-3N	M50x3"NPT	95.00	100.00	15.00	27.00	44.00	M50x1.5	3"NPT
A-50-312N	M50x3½"NPT	110.00	120.00	15.00	29.00	48.00	M50x1.5	3½"NPT
A-63-2N	M63x2"NPT	70.00	75.00	15.00	19.00	36.00	M63x1.5	2"NPT
A-63-212N	M63x2½"NPT	80.00	88.00	15.00	25.00	44.00	M63x1.5	2½"NPT
A-63-3N	M63x3"NPT	95.00	100.00	15.00	27.00	46.00	M63x1.5	3"NPT
A-63-312N	M63x3½"NPT	110.00	120.00	15.00	29.00	48.00	M63x1.5	3½"NPT
A-75-212N	M75x2½"NPT	80.00	88.00	15.00	25.00	42.00	M75x1.5	2½"NPT
A-75-3N	M75x3"NPT	95.00	100.00	15.00	27.00	46.00	M75x1.5	3"NPT
A-75-312N	M75x3½"NPT	110.00	120.00	15.00	29.00	48.00	M75x1.5	3½"NPT
A-90-3N	M90x3"NPT	95.00	100.00	18.00	27.00	47.00	M90x2.0	3"NPT
A-90-312N	M90x3½"NPT	110.00	120.00	18.00	29.00	51.00	M90x2.0	3½"NPT
A-100-312N	M100x3½"NPT	110.00	120.00	18.00	29.00	50.00	M100x2.0	3½"NPT
A-100-4N	M100x4"NPT	120.00	133.00	18.00	29.00	51.00	M100x2.0	4"NPT

ADAPTOR							BSP (G) TO METRIC	
Code	Size	A/F	A/C	L1	L2	L	T1	T2
A-38G-16	⅜"G×M16	21.00	23.00	15.00	15.00	32.50	⅜"G	M16x1.5
A-38G-20	⅜"G×M20	24.00	26.50	15.00	15.00	34.00	⅜"G	M20x1.5
A-38G-25	⅜"G×M25	30.00	33.00	15.00	15.00	34.00	⅜"G	M25x1.5
A-12G-20	½"G×M20	24.00	26.20	15.00	16.00	34.00	½"G	M20x1.5
A-12G-25	½"G×M25	30.00	33.00	15.00	16.00	34.00	½"G	M25x1.5
A-12G-32	½"G×M32	36.00	39.20	15.00	16.00	34.00	½"G	M32x1.5
A-12G-40	½"G×M40	45.00	50.00	15.00	16.00	34.00	½"G	M40x1.5
A-12G-50	½"G×M50	55.00	60.00	15.00	16.00	34.00	½"G	M50x1.5
A-34G-25	¾"G×M25	30.00	33.00	15.00	16.00	34.00	¾"G	M25x1.5
A-34G-32	¾"G×M32	36.00	39.20	15.00	16.00	34.00	¾"G	M32x1.5
A-34G-40	¾"G×M40	45.00	50.00	15.00	16.00	34.00	¾"G	M40x1.5
A-34G-50	¾"G×M50	55.00	60.00	15.00	16.00	34.00	¾"G	M50x1.5
A-34G-63	¾"G×M63	70.00	75.00	15.00	16.00	34.00	¾"G	M63x1.5
A-34G-75	¾"G×M75	80.00	88.00	15.00	16.00	34.00	¾"G	M75x1.5
A-1G-32	1"G×M32	36.00	39.20	18.00	16.00	37.00	1"G	M32x1.5
A-1G-40	1"G×M40	45.00	50.00	18.00	16.00	37.00	1"G	M40x1.5
A-1G-50	1"G×M50	55.00	60.00	18.00	16.00	37.00	1"G	M50x1.5
A-1G-63	1"G×M63	70.00	75.00	18.00	16.00	37.00	1"G	M63x1.5
A-1G-75	1"G×M75	80.00	88.00	18.00	16.00	37.00	1"G	M75x1.5
A-1G-90	1"G×M90	100.00	110.00	18.00	16.00	37.00	1"G	M90x2.0
A-114G-40	1¼"G×M40	46.00	50.60	18.00	16.00	37.00	1¼"G	M40x1.5
A-114G-50	1¼"G×M50	55.00	60.00	18.00	16.00	37.00	1¼"G	M50x1.5
A-114G-63	1¼"G×M63	70.00	75.00	18.00	16.00	37.00	1¼"G	M63x1.5
A-114G-75	1¼"G×M75	80.00	88.00	18.00	16.00	37.00	1¼"G	M75x1.5
A-114G-90	1¼"G×M90	100.00	110.00	18.00	18.00	37.00	1¼"G	M90x2.0
A-112G-50	1½"G×M50	55.00	60.00	18.00	16.00	37.00	1½"G	M50x1.5
A-112G-63	1½"G×M63	70.00	75.00	18.00	16.00	37.00	1½"G	M63x1.5
A-112G-75	1½"G×M75	80.00	88.00	18.00	16.00	37.00	1½"G	M75x1.5
A-112G-90	1½"G×M90	100.00	110.00	18.00	18.00	37.00	1½"G	M90x2.0
A-2G-63	2"G×M63	70.00	75.00	18.00	16.00	37.00	2"G	M63x1.5
A-2G-75	2"G×M75	80.00	88.00	18.00	16.00	37.00	2"G	M75x1.5
A-2G-90	2"G×M90	100.00	110.00	18.00	18.00	37.00	2"G	M90x2.0
A-212G-75	2½"G×M75	80.00	88.00	18.00	16.00	37.00	2½"G	M75x1.5
A-212G-90	2½"G×M90	100.00	110.00	18.00	18.00	37.00	2½"G	M90x2.0
A-212G-100	2½"G×M100	110.00	120.00	18.00	18.00	37.00	2½"G	M100x2.0



ADAPTOR							BSP (G) TO METRIC	
Code	Size	A/F	A/C	L1	L2	L	T1	T2
A-3G-90	3"GxM90	100.00	110.00	18.00	18.00	37.00	3"G	M90x2.0
A-3G-100	3"GxM100	110.00	120.00	18.00	18.00	37.00	3"G	M100x2.0
A-312G-100	3½"GxM100	110.00	120.00	18.00	18.00	37.00	3 ½"G	M100x2.0

ADAPTOR							BSP (G) TO BSP (G)	
Code	Size	A/F	A/C	L1	L2	L	T1	T2
A-38G-38G	⅜"Gx⅜"G	21.00	23.00	15.00	16.00	33.50	⅜"G	⅜"G
A-38G-12G	⅜"Gx½"G	24.00	26.20	15.00	16.00	34.00	⅜"G	½"G
A-38G-34G	⅜"Gx¾"G	30.00	33.00	15.00	16.00	34.00	⅜"G	¾"G
A-12G-12G	½"Gx½"G	24.00	26.20	15.00	16.00	34.00	½"G	½"G
A-12G-34G	½"Gx¾"G	30.00	33.00	15.00	16.00	34.00	½"G	¾"G
A-12G-1G	½"Gx1"G	36.00	39.20	15.00	18.00	36.00	½"G	1"G
A-12G-114G	½"Gx1¼"G	46.00	50.60	15.00	18.00	36.00	½"G	1¼"G
A-12G-112G	½"Gx1½"G	55.00	60.00	15.00	18.00	36.00	½"G	1½"G
A-34G-34G	¾"Gx¾"G	30.00	33.00	15.00	16.00	34.00	¾"G	¾"G
A-34G-1G	¾"Gx1"G	36.00	39.60	15.00	18.00	36.00	¾"G	1"G
A-34G-114G	¾"Gx1¼"G	46.00	50.60	15.00	18.00	36.00	¾"G	1¼"G
A-34G-112G	¾"Gx1½"G	52.50	58.00	15.00	18.00	36.00	¾"G	1½"G
A-34G-2G	¾"Gx2"G	65.00	70.00	15.00	18.00	36.00	¾"G	2"G
A-34G-212G	¾"Gx2½"G	80.00	88.00	15.00	18.00	36.00	¾"G	2½"G
A-1G-1G	1"Gx1"G	36.00	39.60	18.00	18.00	39.00	1"G	1"G
A-1G-114G	1"Gx1¼"G	46.00	50.60	18.00	18.00	39.00	1"G	1¼"G
A-1G-112G	1"Gx1½"G	52.50	58.00	18.00	18.00	39.00	1"G	1½"G
A-1G-2G	1"Gx2"G	65.00	70.00	18.00	18.00	39.00	1"G	2"G
A-1G-212G	1"Gx2½"G	80.00	88.00	18.00	18.00	39.00	1"G	2½"G
A-114G-114G	1¼"Gx1¼"G	46.00	50.60	18.00	18.00	39.00	1¼"G	1¼"G
A-114G-112G	1¼"Gx1½"G	52.50	58.00	18.00	18.00	39.00	1¼"G	1½"G
A-114G-2G	1¼"Gx2"G	65.00	70.00	18.00	18.00	39.00	1¼"G	2"G
A-114G-212G	1¼"Gx2½"G	80.00	88.00	18.00	18.00	39.00	1¼"G	2½"G
A-112G-112G	1½"Gx1½"G	52.50	58.00	18.00	18.00	39.00	1½"G	1½"G
A-112G-2G	1½"Gx2"G	65.00	70.00	18.00	18.00	39.00	1½"G	2"G
A-112G-212G	1½"Gx2½"G	80.00	88.00	18.00	18.00	39.00	1½"G	2½"G
A-2G-2G	2"Gx2"G	65.00	70.00	18.00	18.00	39.00	2"G	2"G
A-2G-212G	2"Gx2½"G	80.00	88.00	18.00	18.00	39.00	2"G	2½"G
A-2G-3G	2"Gx3"G	95.00	100.00	18.00	18.00	39.00	2"G	3"G
A-212G-212G	2½"Gx2½"G	80.00	88.00	18.00	18.00	39.00	2½"G	2½"G
A-212G-3G	2½"Gx3"G	95.00	100.00	18.00	18.00	39.00	2½"G	3"G
A-212G-312G	2½"Gx3½"G	110.00	120.00	18.00	18.00	39.00	2½"G	3½"G
A-3G-3G	3"Gx3"G	95.00	100.00	18.00	18.00	39.00	3"G	3"G
A-3G-312G	3"Gx3½"G	110.00	120.00	18.00	18.00	39.00	3"G	3½"G

ADAPTOR							NPT TO METRIC	
Code	Size	A/F	A/C	L1	L2	L	T1	T2
A-38N-16	⅜"NPTxM16	21.00	23.00	15.00	16.00	32.50	⅜"NPT	M16x1.5
A-38N-20	⅜"NPTxM20	24.00	26.20	15.00	16.00	33.00	⅜"NPT	M20x1.5
A-38N-25	⅜"NPTxM25	30.00	33.00	15.00	16.00	34.00	⅜"NPT	M25x1.5
A-12N-20	½"NPTxM20	24.00	26.20	16.00	16.00	35.00	½"NPT	M20x1.5
A-12N-25	½"NPTxM25	30.00	33.00	16.00	16.00	35.00	½"NPT	M25x1.5
A-12N-32	½"NPTxM32	36.00	39.20	16.00	16.00	35.00	½"NPT	M32x1.5
A-12N-40	½"NPTxM40	45.00	50.00	16.00	16.00	35.00	½"NPT	M40x1.5
A-12N-50	½"NPTxM50	55.00	60.00	16.00	16.00	35.00	½"NPT	M50x1.5
A-34N-25	¾"NPTxM25	30.00	33.00	16.00	16.00	35.00	¾"NPT	M25x1.5
A-34N-32	¾"NPTxM32	36.00	39.20	16.00	16.00	35.00	¾"NPT	M32x1.5
A-34N-40	¾"NPTxM40	45.00	50.00	16.00	16.00	35.00	¾"NPT	M40x1.5
A-34N-50	¾"NPTxM50	55.00	60.00	16.00	16.00	35.00	¾"NPT	M50x1.5
A-34N-63	¾"NPTxM63	70.00	75.00	16.00	16.00	35.00	¾"NPT	M63x1.5
A-1N-32	1"NPTxM32	36.00	39.20	19.00	16.00	38.00	1"NPT	M32x1.5
A-1N-40	1"NPTxM40	45.00	50.00	19.00	16.00	38.00	1"NPT	M40x1.5
A-1N-50	1"NPTxM50	55.00	60.00	19.00	16.00	38.00	1"NPT	M50x1.5
A-1N-63	1"NPTxM63	70.00	75.00	19.00	16.00	38.00	1"NPT	M63x1.5
A-1N-75	1"NPTxM75	80.00	88.00	19.00	16.00	38.00	1"NPT	M75x1.5
A-114N-40	1¼"NPTxM40	46.00	50.60	19.00	16.00	38.00	1¼"NPT	M40x1.5
A-114N-50	1¼"NPTxM50	55.00	60.00	19.00	16.00	38.00	1¼"NPT	M50x1.5
A-114N-63	1¼"NPTxM63	70.00	75.00	19.00	16.00	38.00	1¼"NPT	M63x1.5



ADAPTOR							NPT TO METRIC	
Code	Size	A/F	A/C	L1	L2	L	T1	T2
A-114N-75	1¼"NPT×M75	80.00	88.00	19.00	16.00	38.00	1¼"NPT	M75x1.5
A-112N-50	1½"NPT×M50	55.00	60.00	21.00	16.00	40.00	1½"NPT	M50x1.5
A-112N-63	1½"NPT×M63	70.00	75.00	21.00	16.00	40.00	1½"NPT	M63x1.5
A-112N-75	1½"NPT×M75	80.00	88.00	21.00	16.00	40.00	1½"NPT	M75x1.5
A-112N-90	1½"NPT×M90	100.00	110.00	21.00	18.00	40.00	1½"NPT	M90x2.0
A-2N-63	2"NPT×M63	70.00	75.00	21.00	16.00	40.00	2"NPT	M63x1.5
A-2N-75	2"NPT×M75	80.00	88.00	21.00	16.00	40.00	2"NPT	M75x1.5
A-2N-90	2"NPT×M90	100.00	110.00	21.00	18.00	40.00	2"NPT	M90x2.0
A-212N-75	2½"NPT×M75	80.00	88.00	30.00	16.00	49.00	2½"NPT	M75x1.5
A-212N-90	2½"NPT×M90	100.00	110.00	30.00	18.00	49.00	2½"NPT	M90x2.0
A-212N-100	2½"NPT×M100	110.00	120.00	30.00	18.00	49.00	2½"NPT	M100x2.0
A-3N-90	3"NPT×M90	100.00	110.00	32.00	18.00	51.00	3"NPT	M90x2.0
A-3N-100	3"NPT×M100	110.00	120.00	32.00	18.00	51.00	3"NPT	M100x2.0

ADAPTOR							NPT TO NPT	
Code	Size	A/F	A/C	L1	L2	L	T1	T2
A-38N-38N	⅜" × ⅜"	22.00	24.00	15.00	16.00	32.50	⅜"NPT	⅜"NPT
A-38N-12N	⅜" × 1/2"	24.00	26.20	15.00	16.00	33.50	⅜"NPT	1/2"NPT
A-38N-34N	⅜" × 3/4"	30.00	33.00	15.00	16.00	34.00	⅜"NPT	3/4"NPT
A-12N-12N	1/2" × 1/2"	24.00	26.20	16.00	16.00	34.50	1/2"NPT	1/2"NPT
A-12N-34N	1/2" × 3/4"	30.00	33.00	16.00	16.00	35.00	1/2"NPT	3/4"NPT
A-12N-1N	1/2" × 1"	36.00	39.20	16.00	18.00	37.00	1/2"NPT	1"NPT
A-12N-114N	1/2" × 1¼"	46.00	50.60	16.00	19.00	38.00	1/2"NPT	1¼"NPT
A-12N-112N	1/2" × 1½"	55.00	60.00	16.00	19.00	38.00	1/2"NPT	1½"NPT
A-34N-34N	¾" × ¾"	30.00	33.00	16.00	16.00	35.00	¾"NPT	¾"NPT
A-34N-1N	¾" × 1"	36.00	39.20	16.00	18.00	38.00	¾"NPT	1"NPT
A-34N-114N	¾" × 1¼"	46.00	50.60	16.00	19.00	38.00	¾"NPT	1¼"NPT
A-34N-112N	¾" × 1½"	52.50	58.00	16.00	19.00	38.00	¾"NPT	1½"NPT
A-34N-2N	¾" × 2"	65.00	70.00	16.00	19.00	38.00	¾"NPT	2"NPT
A-1N-1N	1" × 1"	38.00	42.00	19.00	18.00	40.00	1"NPT	1"NPT
A-1N-114N	1" × 1¼"	46.00	50.60	19.00	19.00	41.00	1"NPT	1¼"NPT
A-1N-112N	1" × 1½"	52.50	58.00	19.00	19.00	41.00	1"NPT	1½"NPT
A-1N-2N	1" × 2"	65.00	70.00	19.00	19.00	41.00	1"NPT	2"NPT
A-1N-212N	1" × 2½"	80.00	88.00	19.00	25.00	47.00	1"NPT	2½"NPT
A-114N-114N	1¼" × 1¼"	46.00	50.60	19.00	19.00	41.00	1¼"NPT	1¼"NPT
A-114N-112N	1¼" × 1½"	52.50	58.00	19.00	19.00	41.00	1¼"NPT	1½"NPT
A-114N-2N	1¼" × 2"	65.00	70.00	19.00	19.00	41.00	1¼"NPT	2"NPT
A-114N-212N	1¼" × 2½"	80.00	88.00	19.00	25.00	47.00	1¼"NPT	2½"NPT
A-114N-3N	1¼" × 3"	95.00	100.00	19.00	27.00	49.00	1¼"NPT	3"NPT
A-112N-112N	1½" × 1½"	52.50	58.00	21.00	19.00	43.00	1½"NPT	1½"NPT
A-112N-2N	1½" × 2"	65.00	70.00	21.00	19.00	43.00	1½"NPT	2"NPT
A-112N-212N	1½" × 2½"	80.00	88.00	21.00	25.00	49.00	1½"NPT	2½"NPT
A-112N-3N	1½" × 3"	95.00	100.00	21.00	27.00	51.00	1½"NPT	3"NPT
A-2N-2N	2" × 2"	65.00	70.00	21.00	19.00	43.00	2"NPT	2"NPT
A-2N-212N	2" × 2½"	80.00	88.00	21.00	25.00	49.00	2"NPT	2½"NPT
A-2N-3N	2" × 3"	95.00	100.00	21.00	27.00	51.00	2"NPT	3"NPT
A-212N-212N	2½" × 2½"	80.00	88.00	30.00	25.00	58.00	2½"NPT	2½"NPT
A-212N-3N	2½" × 3"	95.00	100.00	30.00	27.00	60.00	2½"NPT	3"NPT
A-212N-312N	2½" × 3½"	110.00	120.00	30.00	29.00	62.00	2½"NPT	3½"NPT
A-3N-312N	3" × 3½"	110.00	120.00	32.00	29.00	64.00	3"NPT	3½"NPT
A-3N-4N	3" × 4"	120.00	133.00	32.00	29.00	64.00	3"NPT	4"NPT
A-312N-4N	3½" × 4"	123.00	135.00	33.00	29.00	65.00	3½"NPT	4"NPT



ADAPTOR							ET TO ET	
Code	Size	A/F	A/C	L1	L2	L	T1	T2
A-58ET-58ET	5/8"ET×5/8"ET	21.00	23.00	15.00	15.00	33.50	5/8"ET	5/8"ET
A-58ET-34ET	5/8"ET×3/4"ET	22.00	24.00	15.00	15.00	34.00	5/8"ET	3/4"ET
A-58ET-1ET	5/8"ET×1"ET	30.00	33.00	15.00	15.00	34.00	5/8"ET	1"ET
A-34ET-34ET	3/4"ET×3/4"ET	22.00	24.00	15.00	16.00	34.00	3/4"ET	3/4"ET
A-34ET-1ET	3/4"ET×1"ET	30.00	33.00	15.00	16.00	35.00	3/4"ET	1"ET
A-34ET-114ET	3/4"ET×1¼"ET	36.00	39.20	15.00	16.00	35.00	3/4"ET	1¼"ET
A-34ET-112ET	3/4"ET×1½"ET	41.00	45.00	15.00	16.00	35.00	3/4"ET	1½"ET
A-34ET-2ET	3/4"ET×2"ET	55.00	60.00	15.00	16.00	35.00	3/4"ET	2"ET
A-1ET-1ET	1"ET×1"ET	30.00	33.00	15.00	16.00	35.00	1"ET	1"ET
A-1ET-114ET	1"ET×1¼"ET	36.00	39.20	15.00	16.00	35.00	1"ET	1¼"ET
A-1ET-112ET	1"ET×1½"ET	41.00	45.00	15.00	16.00	35.00	1"ET	1½"ET
A-1ET-2ET	1"ET×2"ET	55.00	60.00	15.00	16.00	35.00	1"ET	2"ET
A-1ET-212ET	1"ET×2½"ET	67.50	72.00	15.00	16.00	35.00	1"ET	2½"ET
A-114ET-114ET	1¼"ET×1¼"ET	36.00	39.20	15.00	16.00	35.00	1¼"ET	1¼"ET
A-114ET-112ET	1¼"ET×1½"ET	41.00	45.00	15.00	16.00	35.00	1¼"ET	1½"ET
A-114ET-2ET	1¼"ET×2"ET	55.00	60.00	15.00	16.00	35.00	1¼"ET	2"ET
A-114ET-212ET	1¼"ET×2½"ET	67.50	72.00	15.00	16.00	35.00	1¼"ET	2½"ET
A-114ET-3ET	1¼"ET×3"ET	80.00	88.00	15.00	16.00	35.00	1¼"ET	3"ET
A-112ET-112ET	1½"ET×1½"ET	41.00	45.00	15.00	16.00	35.00	1½"ET	1½"ET
A-112ET-2ET	1½"ET×2"ET	55.00	60.00	15.00	16.00	35.00	1½"ET	2"ET
A-112ET-212ET	1½"ET×2½"ET	67.50	72.00	15.00	16.00	35.00	1½"ET	2½"ET
A-112ET-3ET	1½"ET×3"ET	80.00	88.00	15.00	16.00	35.00	1½"ET	3"ET
A-2ET-2ET	2"ET×2"ET	55.00	60.00	15.00	16.00	35.00	2"ET	2"ET
A-2ET-212ET	2"ET×2½"ET	67.50	72.00	15.00	16.00	35.00	2"ET	2½"ET
A-2ET-3ET	2"ET×3"ET	80.00	88.00	15.00	16.00	35.00	2"ET	3"ET
A-212ET-212ET	2½"ET×2½"ET	67.50	72.00	15.00	16.00	35.00	2½"ET	2½"ET
A-212ET-3ET	2½"ET×3"ET	80.00	88.00	15.00	16.00	35.00	2½"ET	3"ET
A-212ET-312ET	2½"ET×3½"ET	95.00	100.00	15.00	16.00	35.00	2½"ET	3½"ET
A-3ET-3ET	3"ET×3"ET	80.00	88.00	15.00	16.00	35.00	3"ET	3"ET
A-3ET-312ET	3"ET×3½"ET	95.00	100.00	15.00	16.00	35.00	3"ET	3½"ET
A-3ET-4ET	3"ET×4"ET	107.00	115.00	15.00	16.00	35.00	3"ET	4"ET
A-312ET-4ET	3½"ET×4"ET	107.00	115.00	15.00	16.00	35.00	3½"ET	4"ET

ADAPTOR							ET TO METRIC	
Code	Size	A/F	A/C	L1	L2	L	T1	T2
A-58ET-16	5/8"ET×M16	21.00	23.00	15.00	16.00	35.00	5/8"ET	M16x1.5
A-58ET-20	5/8"ET×M20	24.00	26.20	15.00	16.00	35.00	5/8"ET	M20x1.5
A-58ET-25	5/8"ET×M25	30.00	33.00	15.00	16.00	35.00	5/8"ET	M25x1.5
A-34ET-20	3/4"ET×M20	24.00	26.20	15.00	16.00	35.00	3/4"ET	M20x1.5
A-34ET-25	3/4"ET×M25	30.00	33.00	15.00	16.00	35.00	3/4"ET	M25x1.5
A-34ET-32	3/4"ET×M32	36.00	39.20	15.00	16.00	35.00	3/4"ET	M32x1.5
A-34ET-40	3/4"ET×M40	45.00	50.00	15.00	16.00	35.00	3/4"ET	M40x1.5
A-1ET-25	1"ET×M25	30.00	33.00	15.00	16.00	35.00	1"ET	M25x1.5
A-1ET-32	1"ET×M32	36.00	39.20	15.00	16.00	35.00	1"ET	M32x1.5
A-1ET-40	1"ET×M40	45.00	55.00	15.00	16.00	35.00	1"ET	M40x1.5
A-1ET-50	1"ET×M50	55.00	60.00	15.00	16.00	35.00	1"ET	M50x1.5
A-114ET-32	1¼"ET×M32	36.00	39.20	15.00	16.00	35.00	1¼"ET	M32x1.5
A-114ET-40	1¼"ET×M40	45.00	50.00	15.00	16.00	35.00	1¼"ET	M40x1.5
A-114ET-50	1¼"ET×M50	55.00	60.00	15.00	16.00	35.00	1¼"ET	M50x1.5
A-114ET-63	1¼"ET×M63	68.00	73.00	15.00	16.00	35.00	1¼"ET	M63x1.5
A-112ET-40	1½"ET×M40	45.00	50.00	15.00	16.00	35.00	1½"ET	M40x1.5
A-112ET-50	1½"ET×M50	55.00	60.00	15.00	16.00	35.00	1½"ET	M50x1.5
A-112ET-63	1½"ET×M63	68.00	73.00	15.00	16.00	35.00	1½"ET	M63x1.5
A-112ET-75	1½"ET×M75	80.00	88.00	15.00	16.00	35.00	1½"ET	M75x1.5
A-2ET-50	2"ET×M50	55.00	60.00	15.00	16.00	35.00	2"ET	M50x1.5
A-2ET-63	2"ET×M63	70.00	75.00	15.00	16.00	35.00	2"ET	M63x1.5
A-2ET-75	2"ET×M75	80.00	88.00	15.00	16.00	35.00	2"ET	M75x1.5
A-212ET-63	2½"ET×M63	70.00	75.00	15.00	16.00	35.00	2½"ET	M63x1.5
A-212ET-75	2½"ET×M75	80.00	88.00	15.00	16.00	35.00	2½"ET	M75x1.5
A-3ET-75	3"ET×M75	80.00	88.00	15.00	16.00	35.00	3"ET	M75x1.5
A-3ET-90	3"ET×M90	100.00	110.00	15.00	16.00	35.00	3"ET	M90x2.0
A-312ET-100	3½"ET×M100	107.00	115.00	15.00	16.00	35.00	3½"ET	M100x2.0



ADAPTOR							ET TO NPT	
Code	Size	A/F	A/C	L1	L2	L	T1	T2
A-58ET-38N	5/8ET-3/8NPT	21.00	23.00	15.00	16.00	34.00	5/8"ET	3/8"NPT
A-58ET-12N	5/8ET-1/2NPT	24.00	26.20	15.00	16.00	34.00	5/8"ET	1/2"NPT
A-58ET-34N	5/8ET-3/4NPT	30.00	33.00	15.00	16.00	34.00	5/8"ET	3/4"NPT
A-34ET-12N	3/4ET-1/2NPT	24.00	26.20	15.00	16.00	34.00	3/4"ET	1/2"NPT
A-34ET-34N	3/4ET-3/4NPT	30.00	33.00	15.00	16.00	34.00	3/4"ET	3/4"NPT
A-34ET-1N	3/4ET-1NPT	36.00	39.20	15.00	18.00	35.00	3/4"ET	1"NPT
A-34ET-114N	3/4ET-1 1/4NPT	45.00	50.00	15.00	19.00	37.00	3/4"ET	1 1/4"NPT
A-1ET-34N	1ET-3/4NPT	30.00	33.00	15.00	16.00	34.00	1"ET	3/4"NPT
A-1ET-1N	1ET-1NPT	36.00	39.20	15.00	18.00	36.00	1"ET	1"NPT
A-1ET-114N	1ET-1 1/4NPT	45.00	55.00	15.00	19.00	37.00	1"ET	1 1/4"NPT
A-1ET-112N	1ET-1 1/2NPT	55.00	60.00	15.00	19.00	37.00	1"ET	1 1/2"NPT
A-114ET-1N	1 1/4ET-1NPT	36.00	39.20	15.00	18.00	37.00	1 1/4"ET	1"NPT
A-114ET-114N	1 1/4ET-1 1/4NPT	45.00	50.00	15.00	19.00	37.00	1 1/4"ET	1 1/4"NPT
A-114ET-112N	1 1/4ET-1 1/2NPT	55.00	60.00	15.00	19.00	37.00	1 1/4"ET	1 1/2"NPT
A-114ET-2N	1 1/4ET-2NPT	65.00	70.00	15.00	19.00	37.00	1 1/4"ET	2"NPT
A-112ET-114N	1 1/2ET-1 1/4NPT	45.00	50.00	15.00	19.00	37.00	1 1/2"ET	1 1/4"NPT
A-112ET-112N	1 1/2ET-1 1/2NPT	55.00	60.00	15.00	19.00	37.00	1 1/2"ET	1 1/2"NPT
A-112ET-2N	1 1/2ET-2NPT	65.00	70.00	15.00	19.00	37.00	1 1/2"ET	2"NPT
A-112ET-212N	1 1/2ET-2 1/2NPT	75.00	80.00	15.00	25.00	43.00	1 1/2"ET	2 1/2"NPT
A-2ET-2N	2ET-2NPT	65.00	70.00	15.00	19.00	37.00	2"ET	2"NPT
A-2ET-212N	2ET-2 1/2NPT	75.00	80.00	15.00	25.00	43.00	2"ET	2 1/2"NPT
A-212ET-212N	2 1/2ET-2 1/2NPT	75.00	80.00	15.00	25.00	43.00	2 1/2"ET	2 1/2"NPT
A-212ET-3N	2 1/2ET-3NPT	95.00	100.00	15.00	27.00	45.00	2 1/2"ET	3"NPT
A-3ET-3N	3ET-3NPT	95.00	100.00	15.00	27.00	45.00	3"ET	3"NPT
A-3ET-312N	3ET-3 1/2NPT	107.00	115.00	15.00	29.00	47.00	3"ET	3 1/2"NPT

ADAPTOR							METRIC TO ET	
Code	Size	A/F	A/C	L1	L2	L	T1	T2
A-16-58ET	M16x5/8" ET	21.00	23.00	15.00	16.00	34.00	M16x1.5	5/8" ET
A-16-34ET	M16x3/4" ET	22.00	24.00	15.00	16.00	34.00	M16x1.5	3/4" ET
A-16-1ET	M16x1" ET	30.00	33.00	15.00	16.00	35.00	M16x1.5	1" ET
A-20-34ET	M20x3/4" ET	24.00	26.20	15.00	16.00	34.00	M20x1.5	3/4" ET
A-20-1ET	M20x1" ET	30.00	33.00	15.00	16.00	35.00	M20x1.5	1" ET
A-20-114ET	M20x1 1/4" ET	36.00	39.20	15.00	16.00	35.00	M20x1.5	1 1/4" ET
A-20-112ET	M20x1 1/2" ET	45.00	50.00	15.00	16.00	35.00	M20x1.5	1 1/2" ET
A-20-2ET	M20x2" ET	55.00	60.00	15.00	16.00	35.00	M20x1.5	2" ET
A-25-1ET	M25x1" ET	30.00	33.00	15.00	16.00	35.00	M25x1.5	1" ET
A-25-114ET	M25x1 1/4" ET	36.00	39.20	15.00	16.00	35.00	M25x1.5	1 1/4" ET
A-25-112ET	M25x1 1/2" ET	45.00	50.00	15.00	16.00	35.00	M25x1.5	1 1/2" ET
A-25-2ET	M25x2" ET	55.00	60.00	15.00	16.00	35.00	M25x1.5	2" ET
A-25-212ET	M25x2 1/2" ET	70.00	75.00	15.00	16.00	35.00	M25x1.5	2 1/2" ET
A-25-3ET	M25x3" ET	80.00	88.00	15.00	16.00	35.00	M25x1.5	3" ET
A-32-114ET	M32x1 1/4" ET	36.00	39.20	15.00	16.00	35.00	M32x1.5	1 1/4" ET
A-32-112ET	M32x1 1/2" ET	45.00	50.00	15.00	16.00	35.00	M32x1.5	1 1/2" ET
A-32-2ET	M32x2" ET	55.00	60.00	15.00	16.00	35.00	M32x1.5	2" ET
A-32-212ET	M32x2 1/2" ET	70.00	75.00	15.00	16.00	35.00	M32x1.5	2 1/2" ET
A-32-3ET	M32x3" ET	80.00	88.00	15.00	16.00	35.00	M32x1.5	3" ET
A-40-112ET	M40x1 1/2" ET	45.00	50.00	15.00	16.00	35.00	M40x1.5	1 1/2" ET
A-40-2ET	M40x2" ET	55.00	60.00	15.00	16.00	35.00	M40x1.5	2" ET
A-40-212ET	M40x2 1/2" ET	70.00	75.00	15.00	16.00	35.00	M40x1.5	2 1/2" ET
A-40-3ET	M40x3" ET	80.00	88.00	15.00	16.00	35.00	M40x1.5	3" ET
A-40-312ET	M40x3 1/2" ET	100.00	110.00	15.00	16.00	35.00	M40x1.5	3 1/2" ET
A-50-2ET	M50x2" ET	55.00	60.00	15.00	16.00	35.00	M50x1.5	2" ET
A-50-212ET	M50x2 1/2" ET	70.00	75.00	15.00	16.00	35.00	M50x1.5	2 1/2" ET
A-50-3ET	M50x3" ET	80.00	88.00	15.00	16.00	35.00	M50x1.5	3" ET
A-50-312ET	M50x3 1/2" ET	100.00	110.00	15.00	16.00	35.00	M50x1.5	3 1/2" ET
A-63-212ET	M63x2 1/2" ET	70.00	75.00	15.00	16.00	35.00	M63x1.5	2 1/2" ET
A-63-3ET	M63x3" ET	80.00	88.00	15.00	16.00	35.00	M63x1.5	3" ET
A-63-312ET	M63x3 1/2" ET	100.00	110.00	15.00	16.00	35.00	M63x1.5	3 1/2" ET
A-75-3ET	M75x3" ET	80.00	88.00	15.00	16.00	35.00	M75x1.5	3" ET
A-75-312ET	M75x3 1/2" ET	100.00	110.00	15.00	16.00	35.00	M75x1.5	3 1/2" ET
A-90-4ET	M90x4" ET	107.00	115.00	15.00	16.00	35.00	M90x2	4" ET





ADAPTOR							NPT TO ET	
Code	Size	A/F	A/C	L1	L2	L	T1	T2
A-38N-58ET	A-38N-58ET	21.00	23.00	16.00	16.00	34.00	3/8" NPT	5/8" ET
A-38N-34ET	A-38N-34ET	22.00	24.00	16.00	16.00	34.00	3/8" NPT	3/4" ET
A-38N-1ET	A-38N-1ET	30.00	33.00	16.00	16.00	35.00	3/8" NPT	1" ET
A-12N-34ET	A-12N-34ET	24.00	26.20	16.00	16.00	35.00	1/2" NPT	3/4" ET
A-12N-1ET	A-12N-1ET	30.00	33.00	16.00	16.00	36.00	1/2" NPT	1" ET
A-12N-114ET	A-12N-114ET	36.00	39.20	16.00	16.00	36.00	1/2" NPT	1 1/4" ET
A-12N-112ET	A-12N-112ET	45.00	50.00	16.00	16.00	36.00	1/2" NPT	1 1/2" ET
A-12N-2ET	A-12N-2ET	55.00	60.00	16.00	16.00	36.00	1/2" NPT	2" ET
A-34N-1ET	A-34N-1ET	30.00	33.00	16.00	16.00	36.00	3/4" NPT	1" ET
A-34N-114ET	A-34N-114ET	36.00	39.20	16.00	16.00	36.00	3/4" NPT	1 1/4" ET
A-34N-112ET	A-34N-112ET	45.00	50.00	16.00	16.00	36.00	3/4" NPT	1 1/2" ET
A-34N-2ET	A-34N-2ET	55.00	60.00	16.00	16.00	36.00	3/4" NPT	2" ET
A-34N-212ET	A-34N-212ET	70.00	75.00	16.00	16.00	36.00	3/4" NPT	2 1/2" ET
A-34N-3ET	A-34N-3ET	80.00	88.00	16.00	16.00	36.00	3/4" NPT	3" ET
A-1N-114ET	A-1N-114ET	36.00	39.20	19.00	16.00	39.00	1" NPT	1 1/4" ET
A-1N-112ET	A-1N-112ET	45.00	50.00	19.00	16.00	39.00	1" NPT	1 1/2" ET
A-1N-2ET	A-1N-2ET	55.00	60.00	19.00	16.00	39.00	1" NPT	2" ET
A-1N-212ET	A-1N-212ET	70.00	75.00	19.00	16.00	39.00	1" NPT	2 1/2" ET
A-1N-3ET	A-1N-3ET	80.00	88.00	19.00	16.00	39.00	1" NPT	3" ET
A-114N-112ET	A-114N-112ET	45.00	50.00	19.00	16.00	39.00	1 1/4" NPT	1 1/2" ET
A-114N-2ET	A-114N-2ET	55.00	60.00	19.00	16.00	39.00	1 1/4" NPT	2" ET
A-114N-212ET	A-114N-212ET	70.00	75.00	19.00	16.00	39.00	1 1/4" NPT	2 1/2" ET
A-114N-3ET	A-114N-3ET	80.00	88.00	19.00	16.00	39.00	1 1/4" NPT	3" ET
A-114N-312ET	A-114N-312ET	100.00	110.00	19.00	16.00	39.00	1 1/4" NPT	3 1/2" ET
A-112N-2ET	A-112N-2ET	55.00	60.00	21.00	16.00	41.00	1 1/2" NPT	2" ET
A-112N-212ET	A-112N-212ET	70.00	75.00	21.00	16.00	41.00	1 1/2" NPT	2 1/2" ET
A-112N-3ET	A-112N-3ET	80.00	88.00	21.00	16.00	41.00	1 1/2" NPT	3" ET
A-112N-312ET	A-112N-312ET	100.00	110.00	21.00	16.00	41.00	1 1/2" NPT	3 1/2" ET
A-2N-212ET	A-2N-212ET	70.00	75.00	21.00	16.00	41.00	2" NPT	2 1/2" ET
A-2N-3ET	A-2N-3ET	80.00	88.00	21.00	16.00	41.00	2" NPT	3" ET
A-2N-312ET	A-2N-312ET	100.00	110.00	21.00	16.00	41.00	2" NPT	3 1/2" ET
A-212N-3ET	A-212N-3ET	80.00	88.00	30.00	16.00	45.00	2 1/2" NPT	3" ET
A-212N-312ET	A-212N-312ET	100.00	110.00	30.00	16.00	50.00	2 1/2" NPT	3 1/2" ET
A-3N-4ET	A-3N-4ET	107.00	115.00	32.00	16.00	52.00	3" NPT	4" ET

**PRODUCT CODE FOR ORDERING PURPOSE**

Type	Male Thread Size	Female Thread Size	Material	Accessories
A	Metric... e.g. 20...(for M20)	Metric... e.g. 20...(for M20)	Brass-1	Lock Nut-5
	NPT (N)... e.g. 12N...(for 1/2" NPT)	NPT (N)... e.g. 12N...(for 1/2" NPT)	Stainless Steel-2	IP Washer-6
	BSP (G)... e.g. 12G...(for 1/2" BSP)	BSP (G)... e.g. 12G...(for 1/2" BSP)	Nickel Plated-3	
	ET... e.g. 34ET...(for 3/4" ET)	ET... e.g. 34ET...(for 3/4" ET)		

**ORDERING INFORMATION**

**Code:** A-16-20-356  
M16(M) x M20(F) Brass Nickel Plated Adaptor with Nut & Seal

A =Adaptor, 16 =Male Thread Size (M16),  
20 =Female Thread Size (M20), 3= With Brass Nickel Plated Material,  
5=with Lock Nut, 6=with IP Washer