

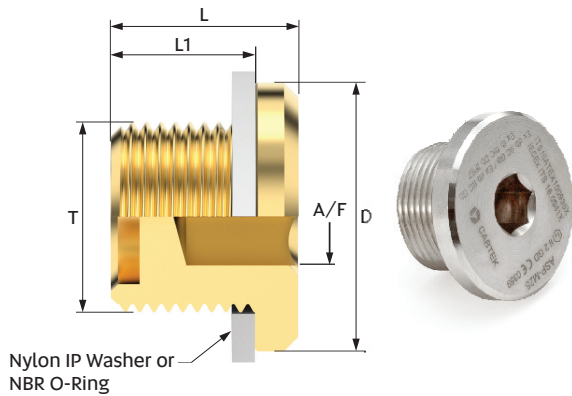
**Flameproof Ex d & Increased Safety  
Ex e Allen Key Stop Plug**

Stop Plugs / Blanking Elements are designed to seal or close any unused entries in Electrical enclosures, equipment, terminal boxes and junction boxes, etc. Stop Plugs are used to maintain integrity of enclosure and Ingress Protection (IP) rating of equipment is maintained with "O" ring or thread seal.

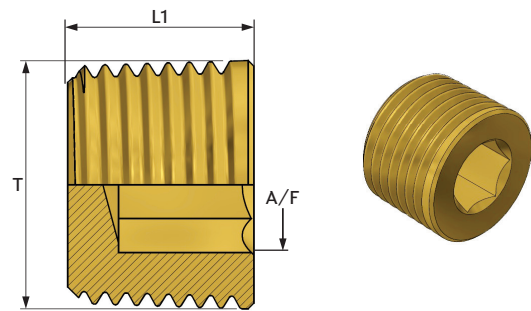
Stop Plugs are generally available in Brass, Nickel Plated Brass, Stainless Steel SS316L with Metric, NPT, ET, BSP and PG Thread.

- IECEX Certificate No.** : ECEX ITS 16.0041X
- ATEX Certificate No.** : ETL22ATEX0109X
- EAC Certificate No.** : RU C-IN.Ж58.B.03310/22
- PESO Certificate No.** : P568411/1
- CIMFR Certificate No.** : CMF 19 INEX 0006
- Code of Protection** : Ex db IIC Gb, Ex eb IIC Gb, Ex tb IIIC Db
- Suitable for use in** : Zone 1, Zone 2, Zone 21 and Zone 22 applications
- Ingress Protection** : IP66/67
- Temperature Standard** : -60° C to +125° C
- Standard** : EN IEC 60079-0:2018, EN/IEC 60079-1:2014, EN EC 60079-7:2015+A1:2018, EN/IEC 60079-31:2014/2013

**For Parallel Thread**



**For Taper Thread**



**ALLEN STOP PLUG - METRIC**

Size	D	L1	L	A/F	T
16	24.00	15.00	19.50	8.00	M16x1.5
20	28.00	15.00	19.50	10.00	M20x1.5
25	32.00	15.00	19.50	10.00	M25x1.5
32	41.00	15.00	20.00	10.00	M32x1.5
40	48.00	15.00	20.00	10.00	M40x1.5
50	60.00	15.00	20.00	10.00	M50x1.5
63	73.00	20.00	29.00	10.00	M63x1.5
75	85.00	20.00	29.00	14.00	M75x1.5
90	100.00	20.00	30.00	14.00	M90x2.0
100	110.00	20.00	30.00	14.00	M100x2.0

**ALLEN STOP PLUG - NPT**

38N	24.00	15.00	19.50	10.00	3/8" NPT
12N	28.00	16.00	20.50	10.00	1/2" NPT
34N	32.00	16.00	20.50	10.00	3/4" NPT
1N	41.00	19.00	24.00	10.00	1" NPT
114N	48.00	19.00	24.00	10.00	1 1/4" NPT
112N	60.00	21.00	26.00	10.00	1 1/2" NPT
2N	73.00	21.00	30.00	10.00	2" NPT
212N	85.00	30.00	39.00	14.00	2 1/2" NPT
3N	100.00	32.00	42.00	14.00	3" NPT
312N	110.00	33.00	43.00	14.00	3 1/2" NPT

CONTINUE...



### ALLEN STOP PLUG -ET

Size	D	L1	L	A/F	T
58ET	25.00	15.00	19.50	8.00	ET 5/8"
34ET	28.00	15.00	19.50	10.00	ET 3/4"
1ET	36.00	15.00	19.50	10.00	ET 1"
114ET	41.00	15.00	20.00	10.00	ET 1 1/4"
112ET	48.00	15.00	20.00	10.00	ET 1 1/2"
2ET	60.00	15.00	20.00	10.00	ET 2"
212ET	73.00	20.00	29.00	10.00	ET 2 1/2"
3ET	85.00	20.00	29.00	14.00	ET 3"
312ET	98.00	20.00	30.00	14.00	ET 3 1/2"

### ALLEN STOP PLUG -BSP

Size	D	L1	L	A/F	T
38G	24.00	15.00	19.50	8.00	3/8" BSP
12G	28.00	15.00	19.50	10.00	1/2" BSP
34G	32.00	15.00	19.50	10.00	3/4" BSP
1G	41.00	18.00	23.00	10.00	1" BSP
114G	48.00	18.00	23.00	10.00	1 1/4" BSP
112G	57.00	18.00	23.00	10.00	1 1/2" BSP
2G	69.00	18.00	27.00	10.00	2" BSP
212G	85.00	18.00	27.00	14.00	2 1/2" BSP
3G	97.00	18.00	28.00	14.00	3" BSP
312G	110.00	18.00	28.00	14.00	3 1/2" BSP

### ALLEN STOP PLUG -PG

Size	D	L1	L	A/F	T
PG 7	22.00	15.00	19.50	6.00	PG 7
PG 9	25.00	15.00	19.50	6.00	PG9
PG 11	25.00	15.00	19.50	10.00	PG 11
PG 13.5	30.00	15.00	19.50	10.00	PG 13.5
PG 16	32.00	15.00	19.50	10.00	PG 16
PG 21	38.00	15.00	20.00	10.00	PG 21
PG 29	46.00	15.00	20.00	10.00	PG 29
PG 36	56.00	15.00	20.00	10.00	PG 36
PG 42	62.00	15.00	20.00	10.00	PG42
PG 48	69.00	20.00	29.00	10.00	PG 48

### PRODUCT CODE FOR ORDERING PURPOSE

Type	Size	Thread Type	Material	Accessories
ASP	16 ....(for M16)	Metric-(M#)	Brass-1	Lock Nut-5
	12N....(for 1/2" NPT)	NPT (#N)	Stainless Steel-2	IP Washer-6
	12G....(for 1/2" BSP)	BSP (#G)	Nickel Plated-3	Serrated Washer-7
	58ET....(for 5/8" ET)	ET (#ET)		
	PG7....(for PG7)	PG (PG#)		

### ORDERING INFORMATION

**Code:** ASP-16-356 / HSP-12N-356

- M16 Nickel Plated Allen Stop Plug with Nut & Seal
- 1/2" NPT Nickel Plated Allen Stop Plug with Nut & Seal

ASP=Allen Stop Plug, 16 & 12N=Plug Sizes,  
3= with Nickel Plated Brass Material, 5=with Lock Nut, 6=with IP Washer